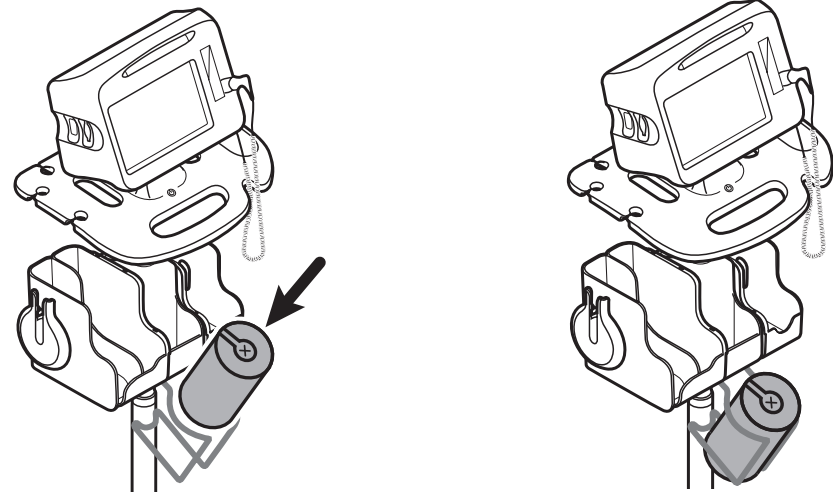
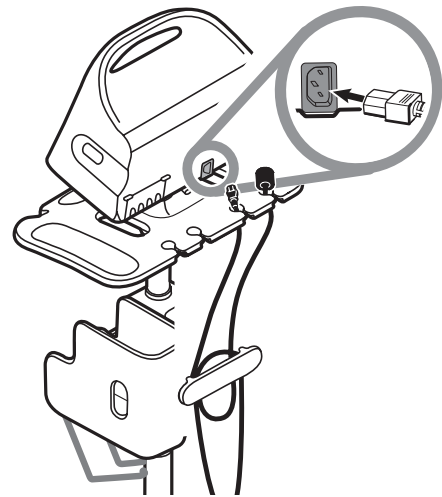


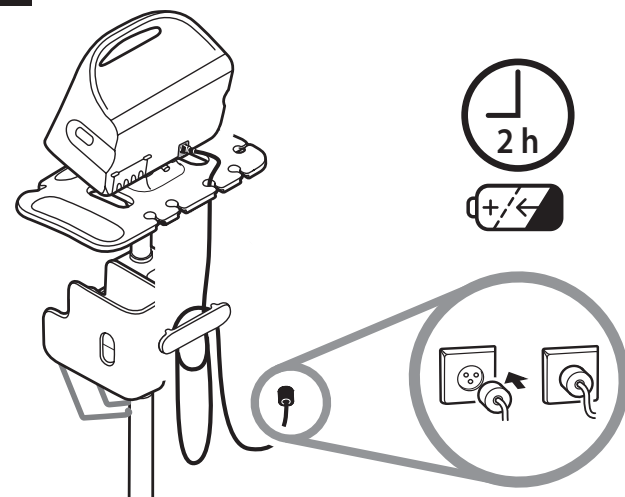
8



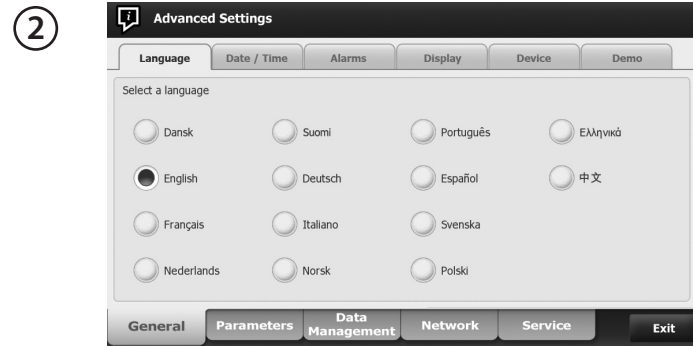
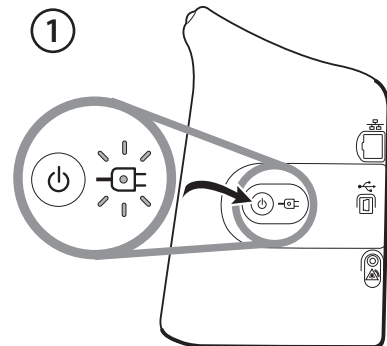
9



10



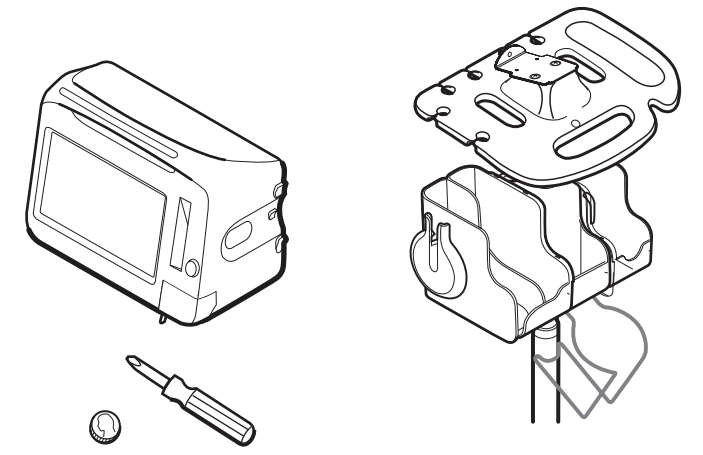
11



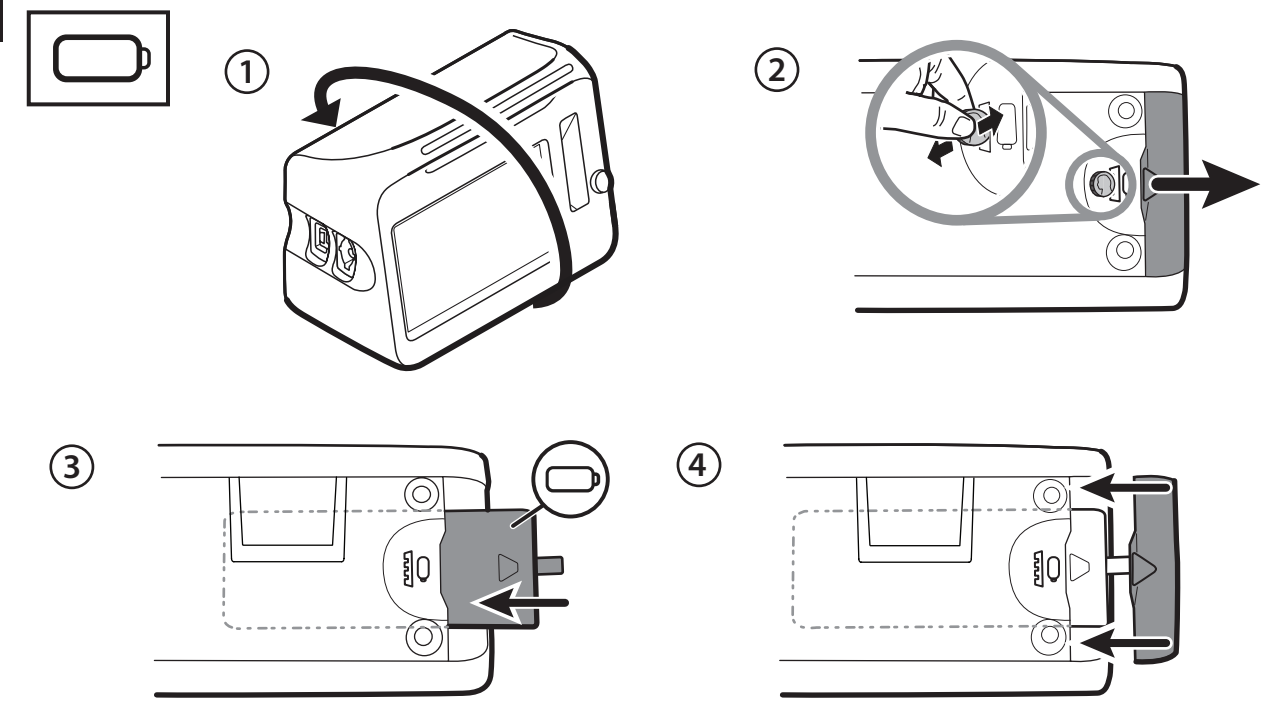
**Welch Allyn®
Vital Signs Monitor 6000 Series™
Startup Guide**

Mat. No. 723945, 80026638 Ver. A
Revision date: 2021-09
© 2021 Welch Allyn, Inc. All rights reserved.

hillrom.com
Hillrom Technical Support
hillrom.com/en-us/about-us/locations/
Welch Allyn, Inc. is a subsidiary of Hill-Rom Holdings, Inc.



1



2

