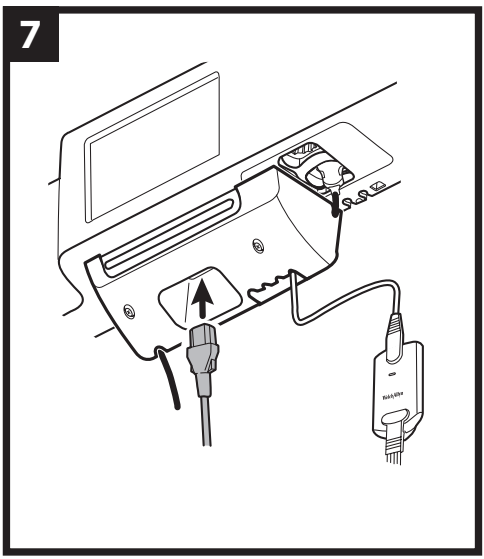
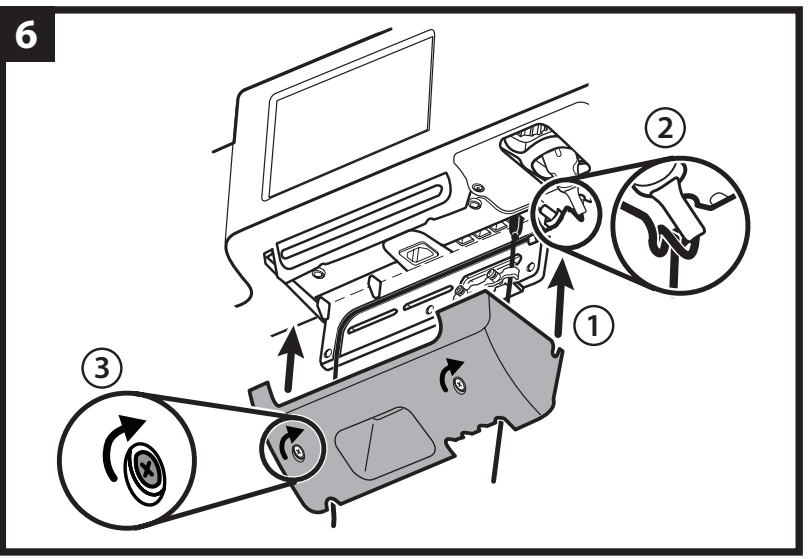
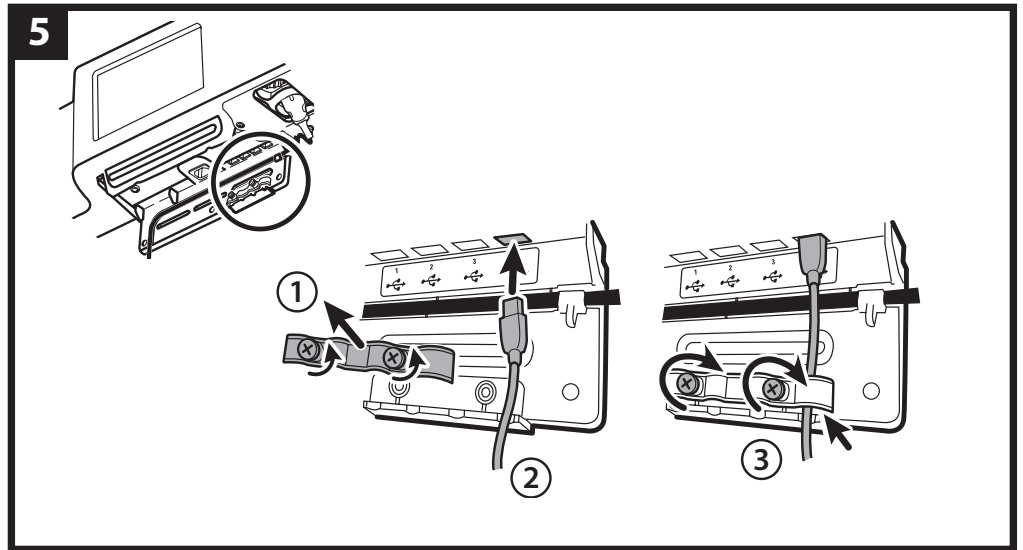
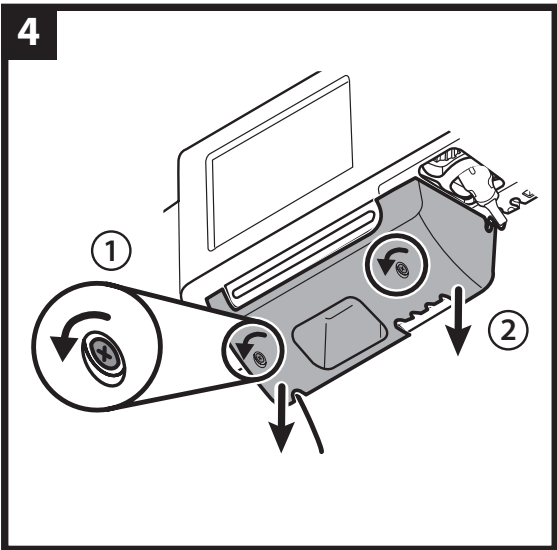
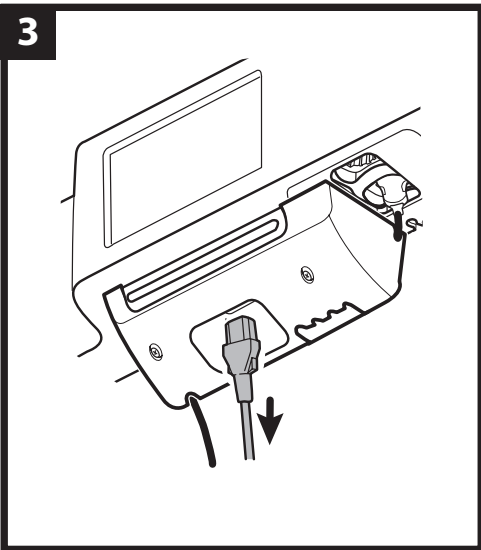
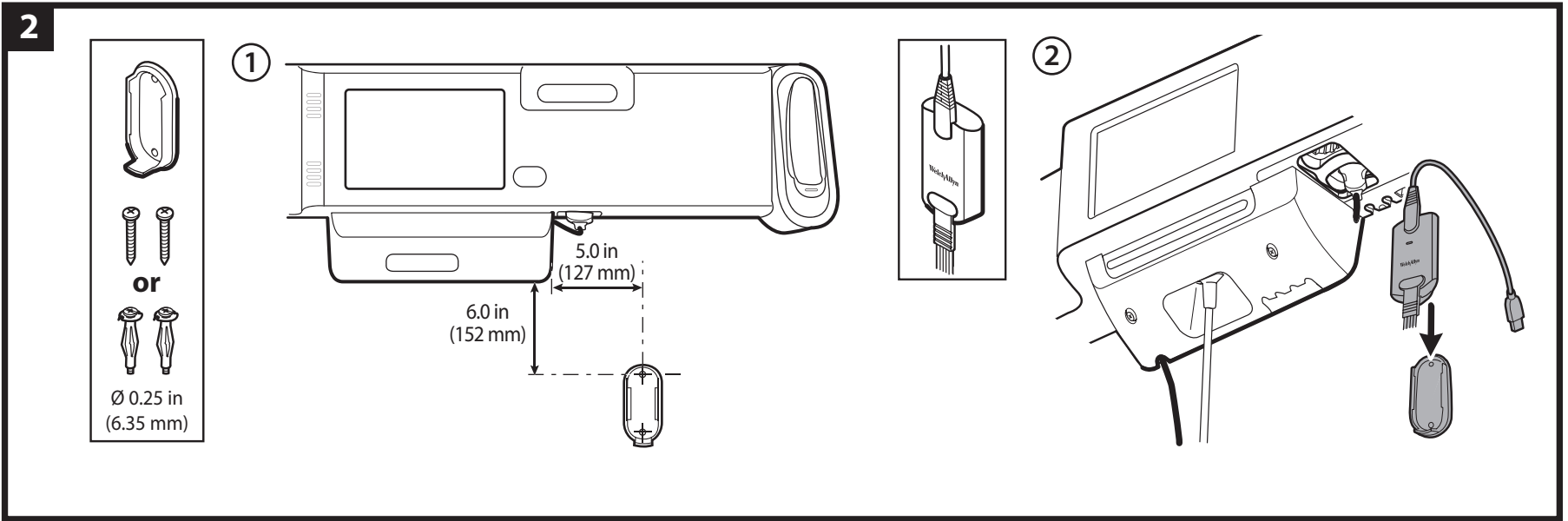
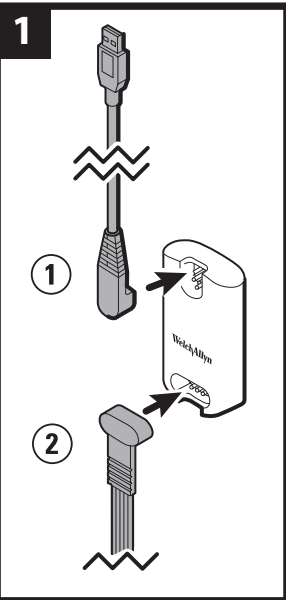


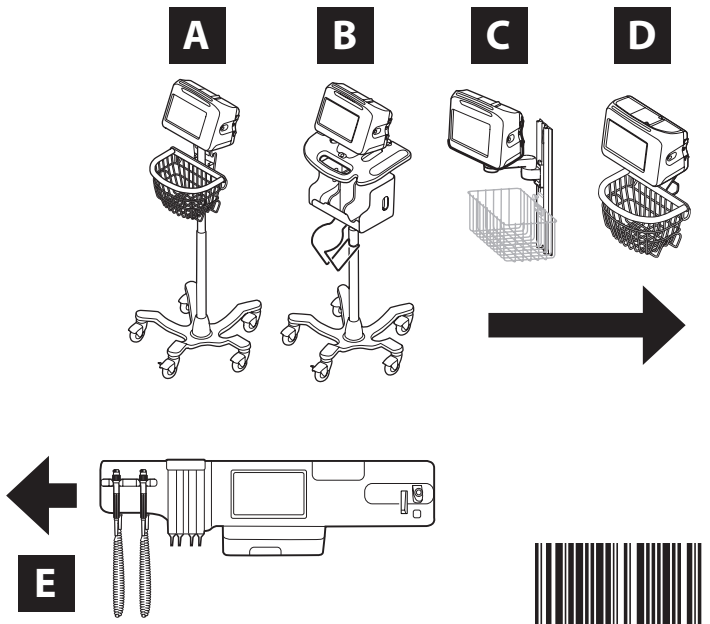
E



Hillrom™

Connex® Devices
ECG Module
Assembly Instructions

Mat. No. 773791, 80028380 Ver. A
Revision date: 2021-08
© 2021 Welch Allyn, Inc. All rights reserved.
Welch Allyn, Inc. is a subsidiary of Hill-Rom Holdings, Inc.



A
B
C
D

