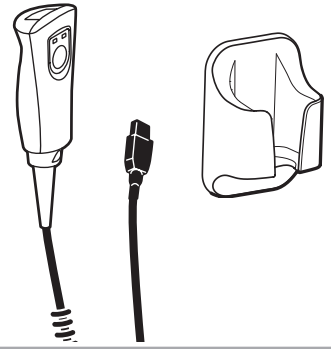
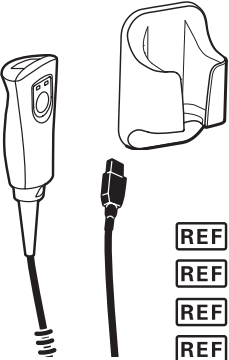


Scanner and Holster Kit

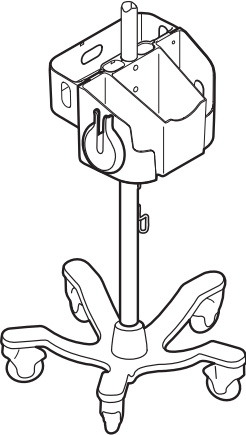
Mat. No. 774894, 80029571 Ver. B
 Revision date: 2022-08
 ©2022 Welch Allyn, Inc. All rights reserved.

hillrom.com
Hillrom Technical Support hillrom.com/en-us/about-us/locations/
 Welch Allyn, Inc. is a subsidiary of Hill-Rom Holdings, Inc.

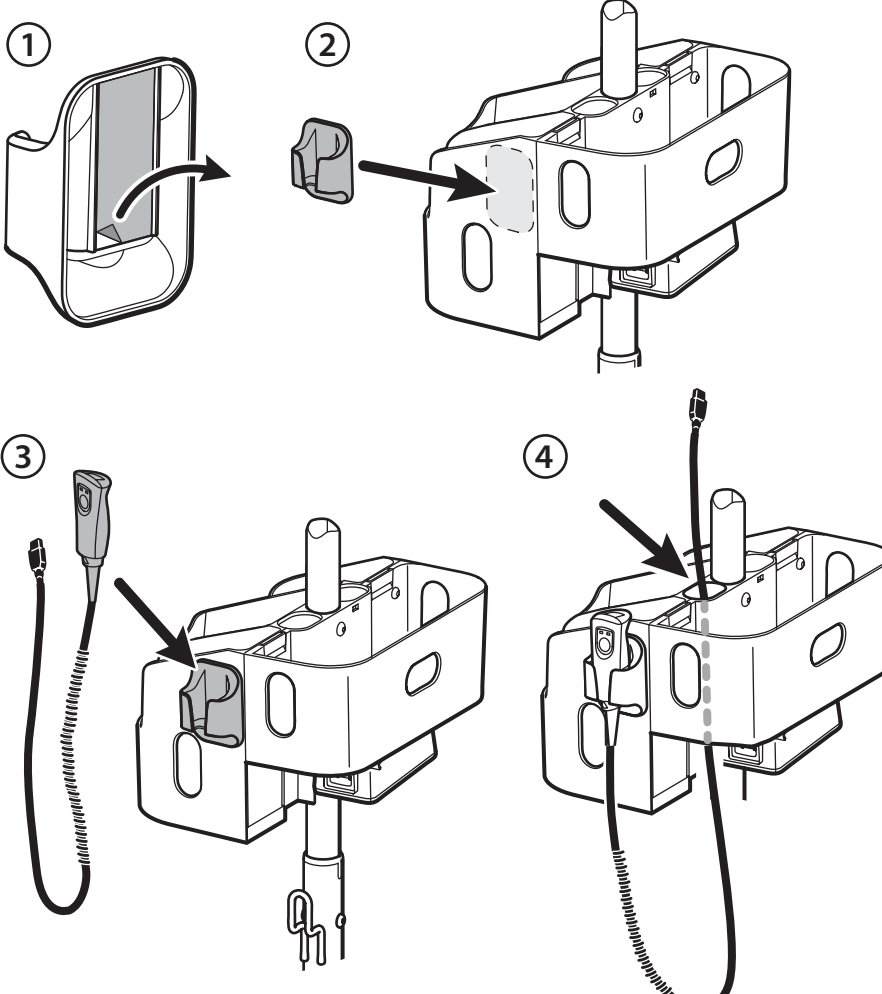



REF 7000-916HSR
REF 7000-916HS
REF 6000-916HSR
REF 6000-916HS

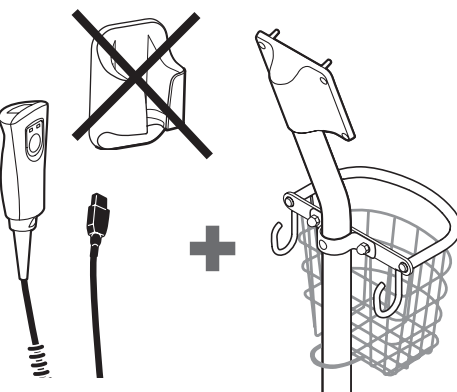
+



REF 4800-60
REF 7000-APM
REF 7000-MWS

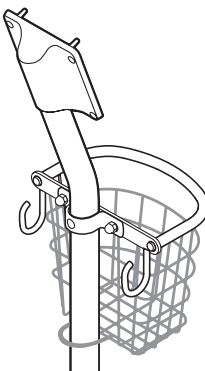


1. Insert the holster into the scanner housing.
2. Attach the scanner to the holster.
3. Connect the scanner cable to the scanner.
4. Connect the scanner cable to the scanner housing.

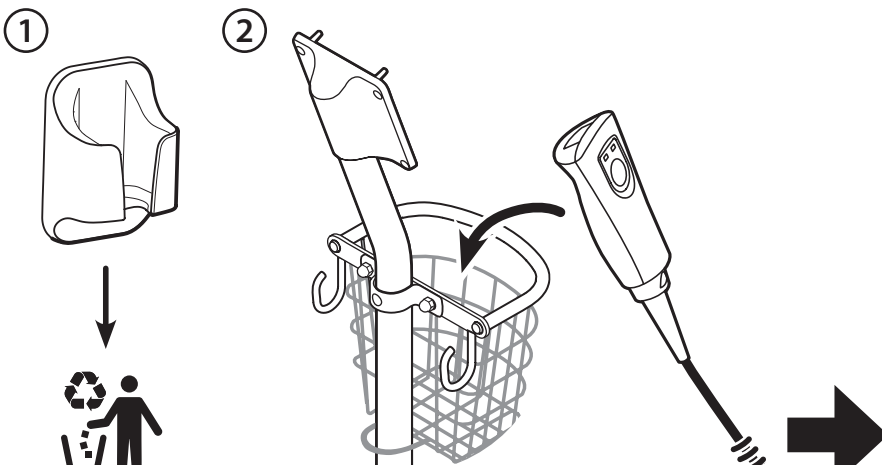


REF 7000-916HSR
REF 7000-916HS

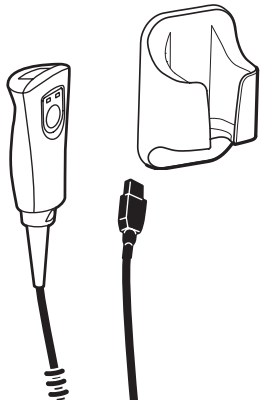
+



REF 7000-MS3

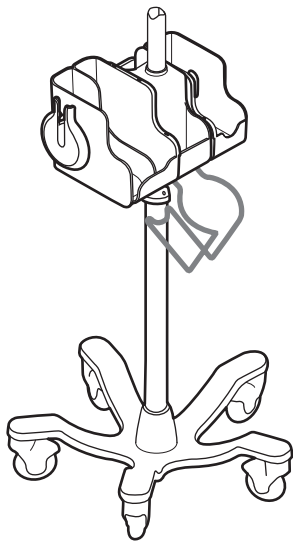


1. Remove the holster from the scanner housing.
2. Place the scanner in a recycling bin.

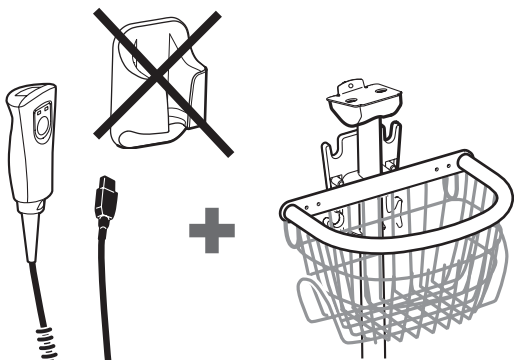
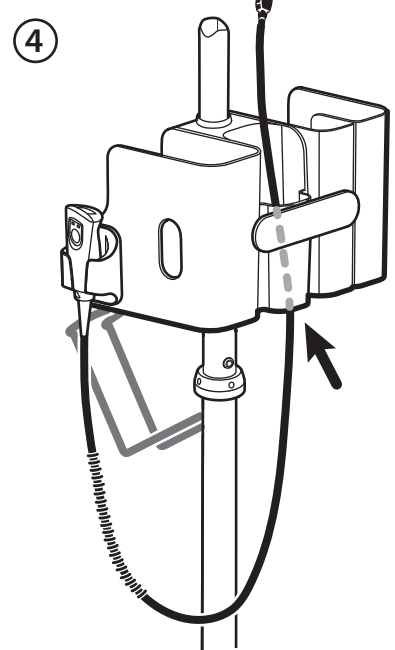
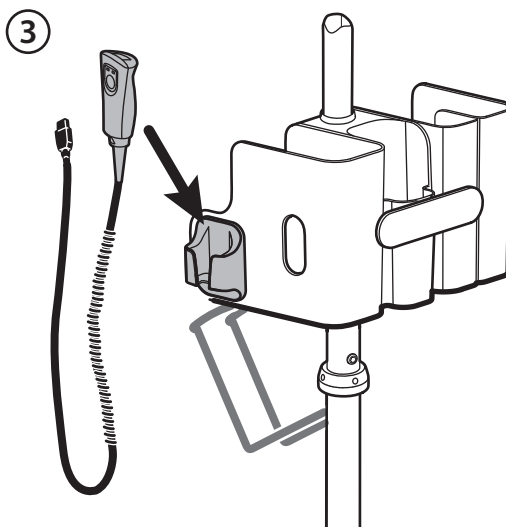
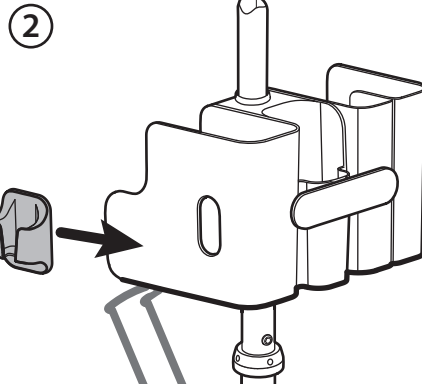
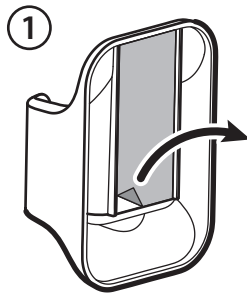


REF 6000-916HSR

REF 6000-916HS



REF 4900-60



REF 6000-916HSR

REF 6000-916HS

REF 4700-60

